

# Lighting Design

Winter 2008

Is This Light  
Following You?  
The Tram Light

The personal assistant  
luminary device.

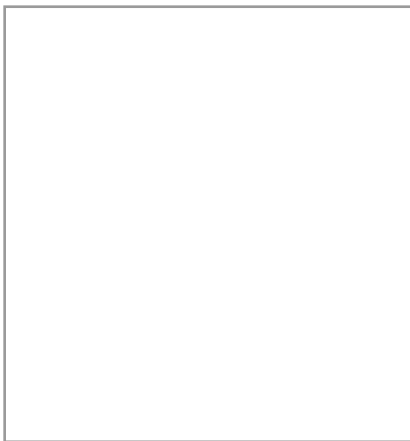
Cable guided eye in the  
sky.

image drawn & rendered in Google SketchUp





Image drawn & rendered in Google SketchUp



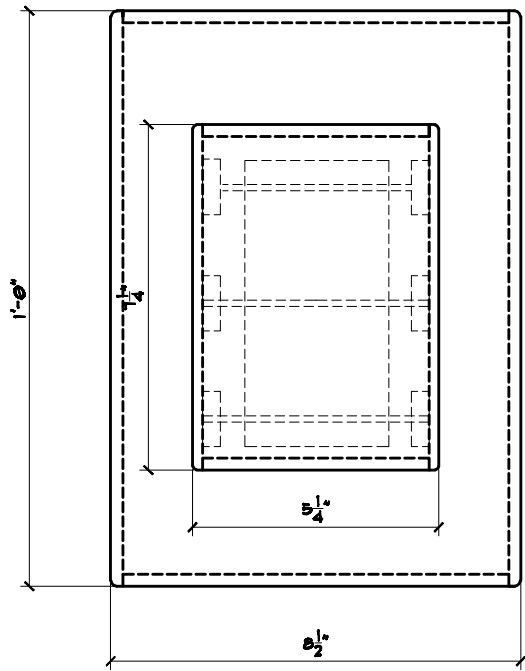
## PERSPECTIVE IN USE (TOP)

The Tram Lighting system follows the users path to illuminate every step, There are less light switches to turn on, meaning less energy is consumed.

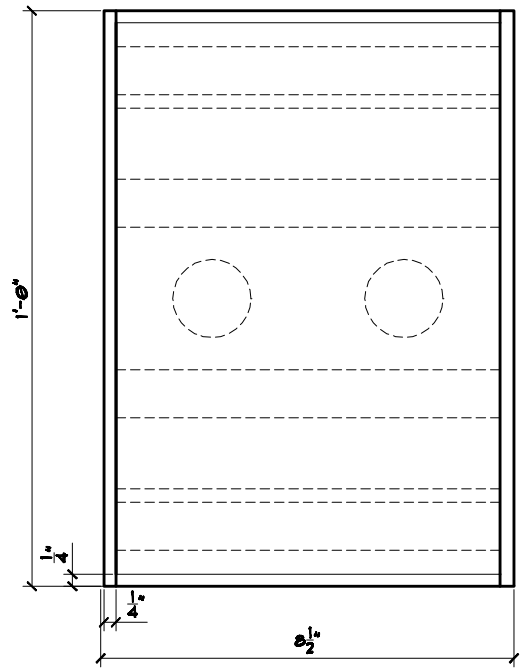


## MATERIAL SELECTION (LEFT)

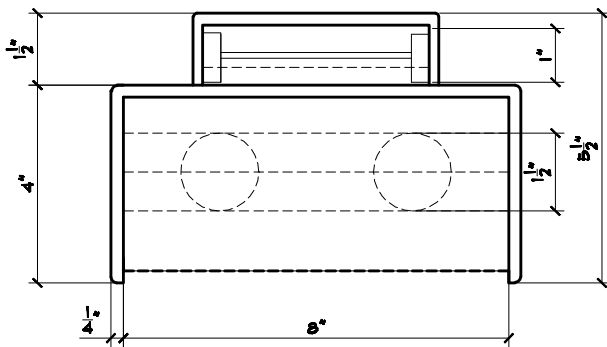
Inspired by the original iPod, the color and material pallet is simple, sleek, and sophisticated. It compliments the best modern interiors.



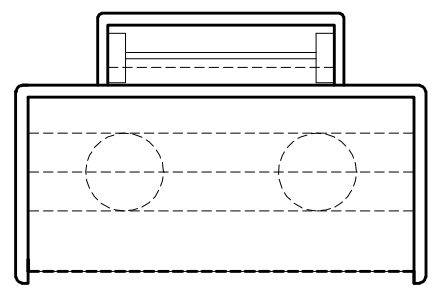
PLAN: TOP



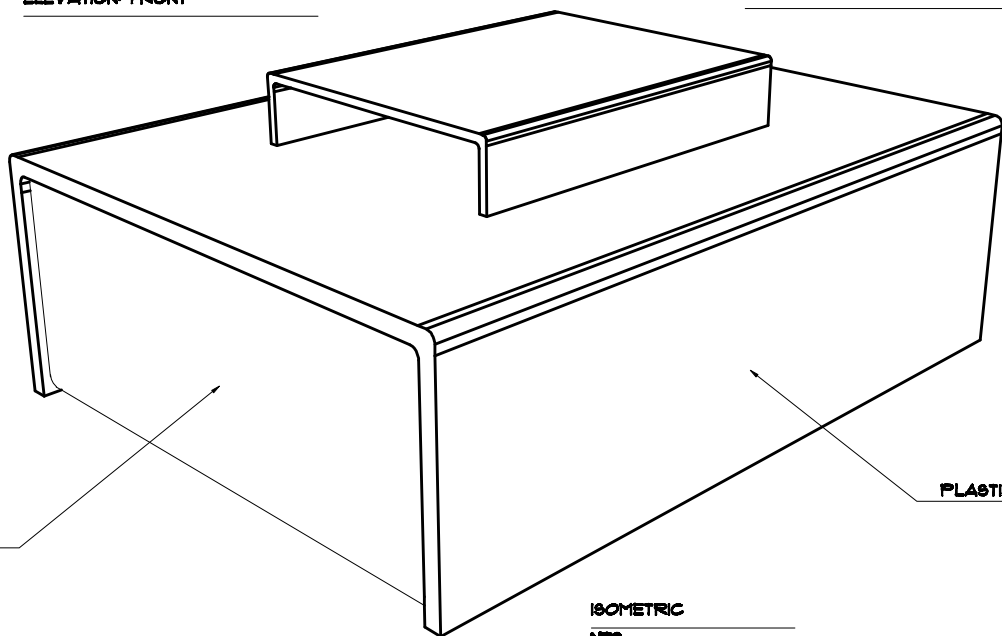
PLAN: BOTTOM



ELEVATION: FRONT



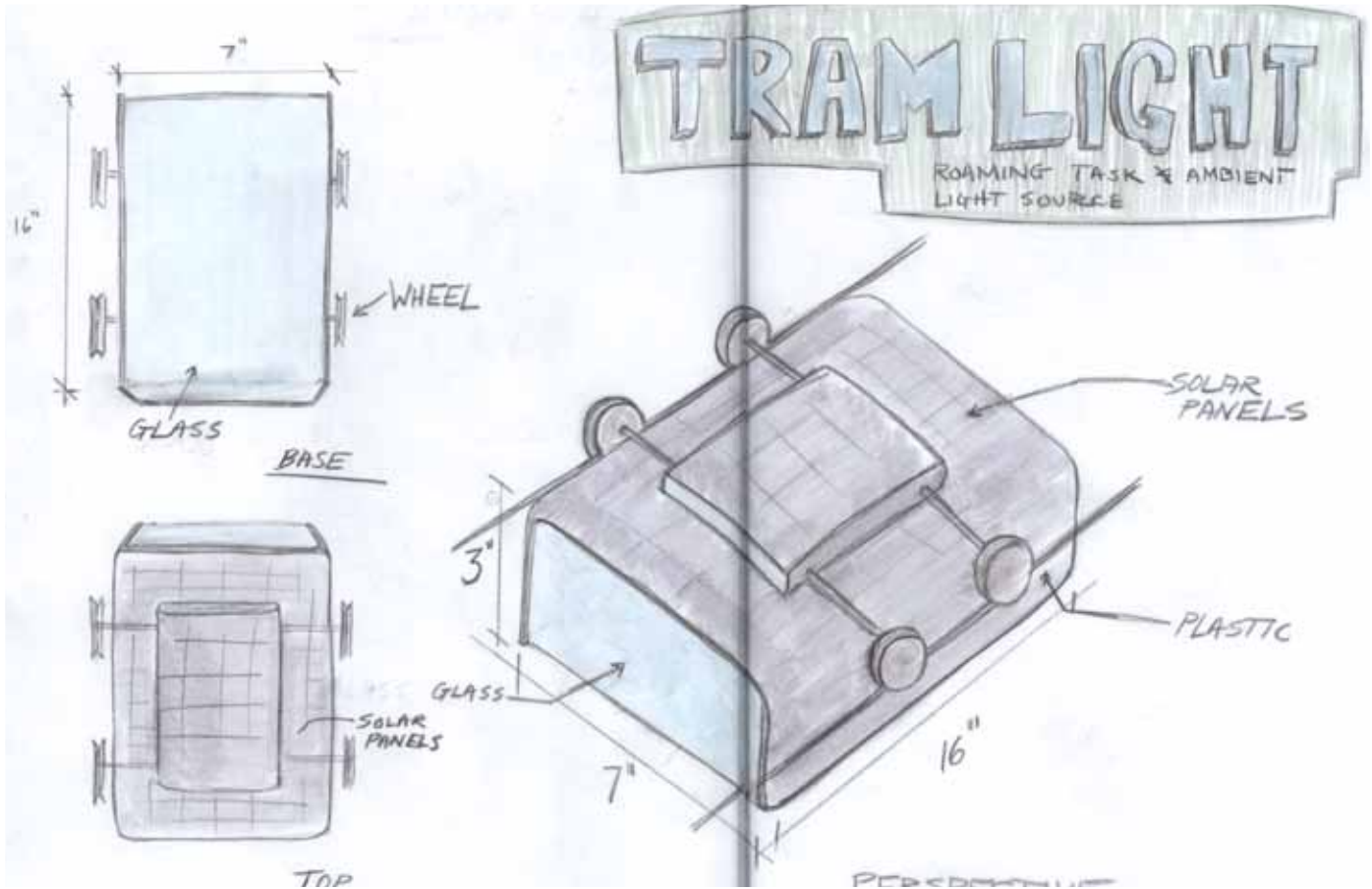
ELEVATION: REAR



GLASS

PLASTIC HOUSING

ISOMETRIC  
NTS



## CONCEPTUAL SKETCHES

NTS

### LEFT ELEVATION: NTS (TOP)

The internal wheels are housed to be hidden away. Six wheels total provide a smooth glide on the cable system

### RIGHT ELEVATION: NTS (BOTTOM)

Powered by two Halogen lamps and one Cold Cathode lamp, the Tram light provides both ambient and task lighting.

Images drawn with AutoCAD

