

Furniture Design

Winter 2009

Expandable Table

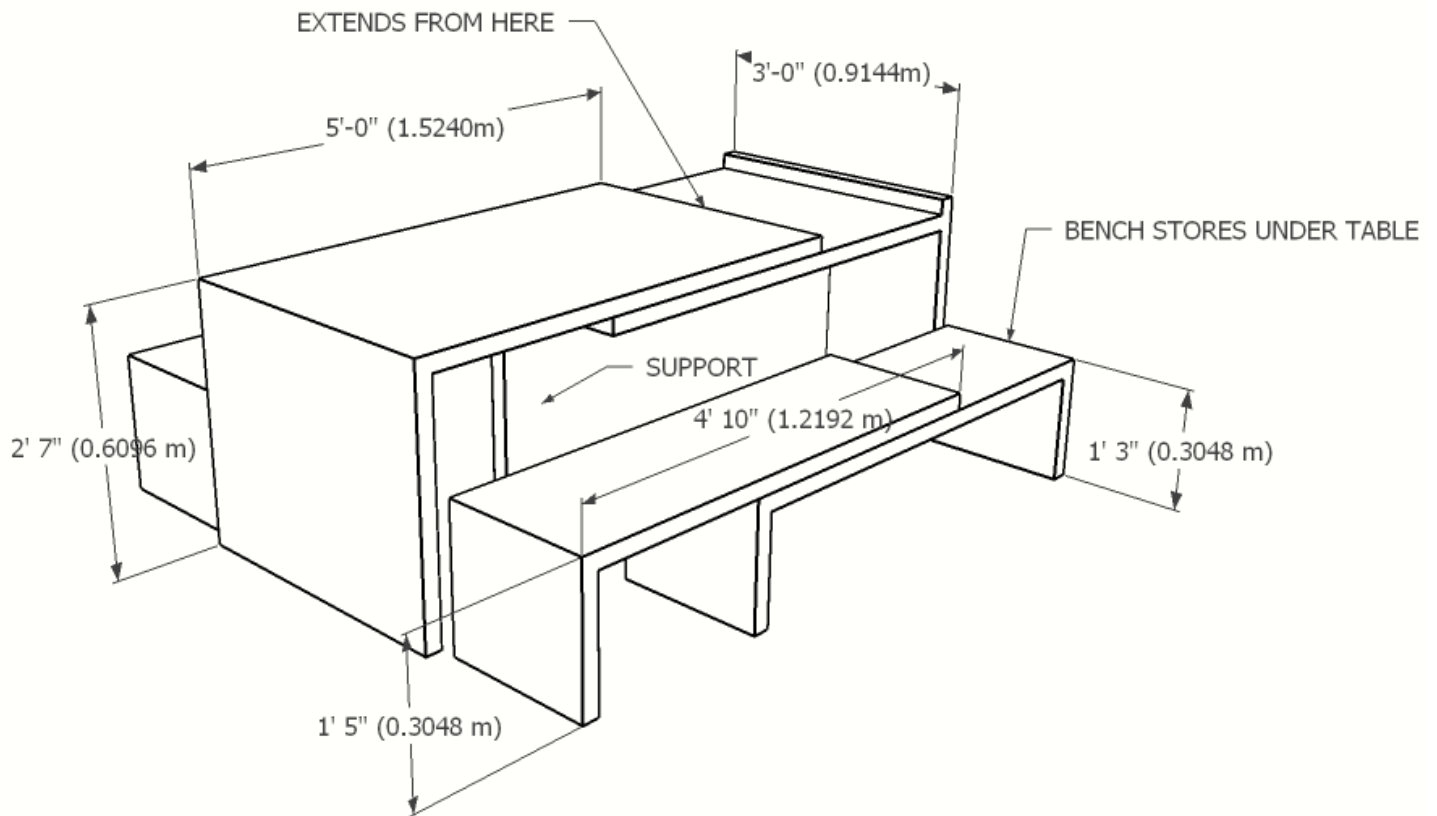
No More Leaflets!

9 foot expansion

8 settings

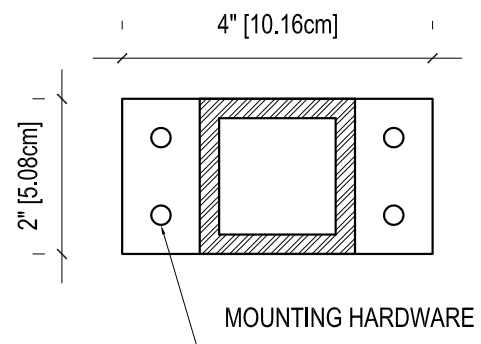
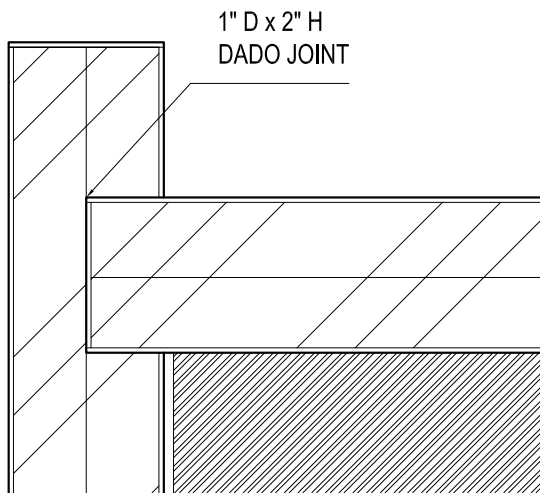
Small Group Meals - With Room for Unexpected Guests

Image drawn & rendered in Google SketchUp



AXON VIEW: GOOGLE SKETCHUP

NTS

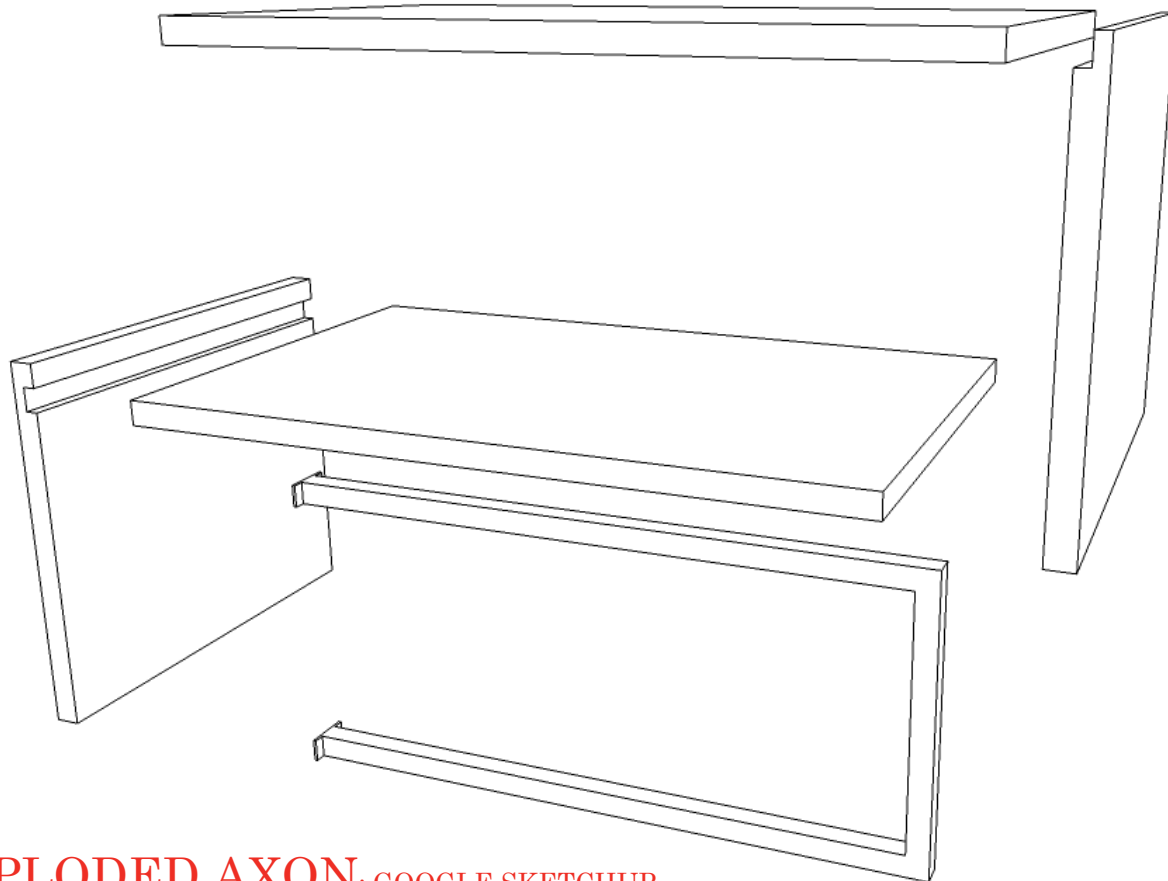


JOINT DETAIL: AUTOCAD

Hidden away, The Dado Joint is strong and doesn't require the need for exposed fasteners

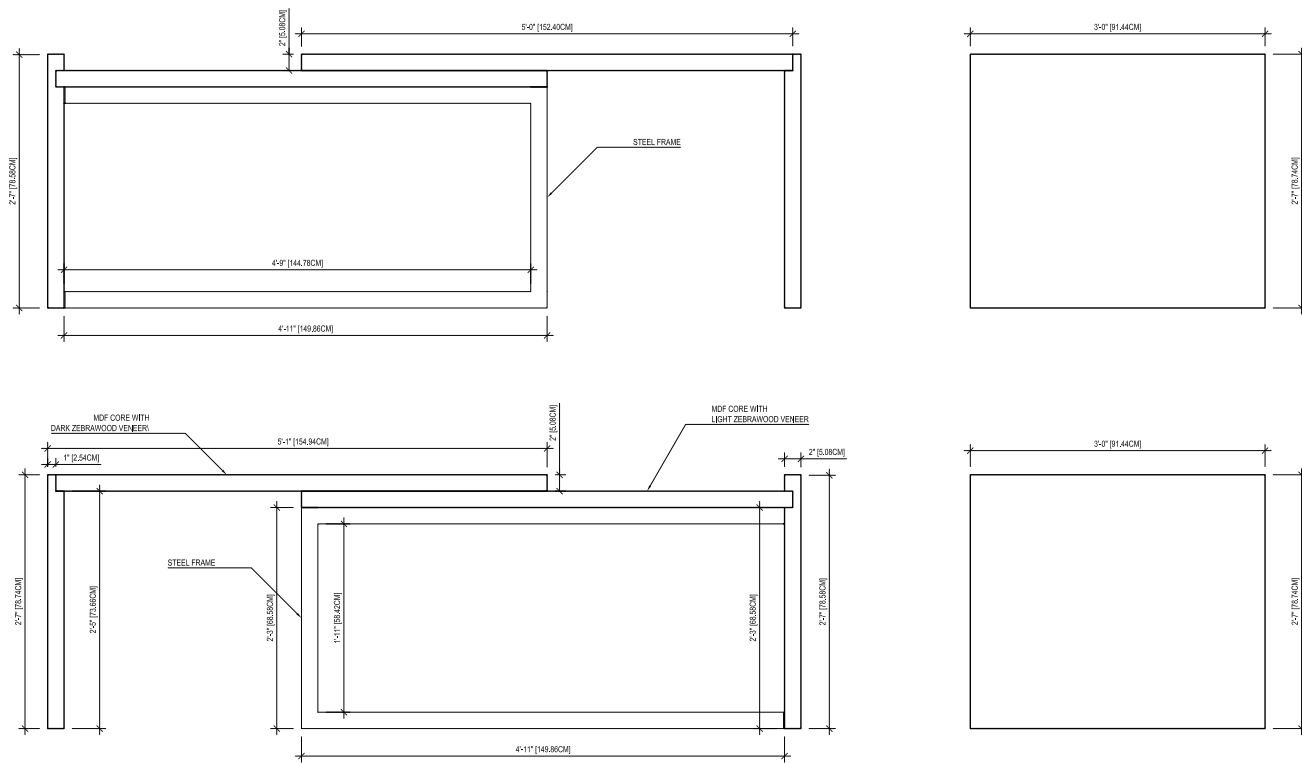
MOUNTING BRACKETS: AUTOCAD

Keep it simple, make it strong. This four hole square steel mounting bracket is easy to fabricate from off the shelf goods.



EXPLODED AXON: GOOGLE SKETCHUP

NTS



ELEVATIONS: AUTOCAD

NTS